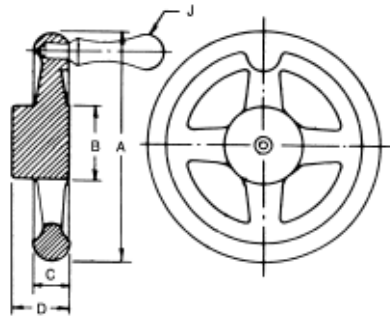


Handwheels (standard type)

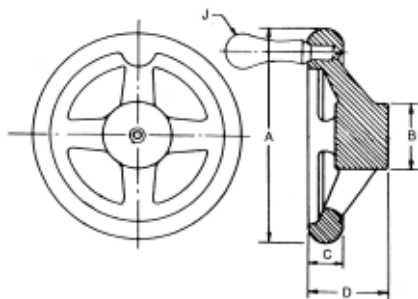


Cast Iron / Aluminum

- Additional charge for installing handles
- Machined handwheels include faced hub that is true with rim
- Bore, keyway, and set screw prices are available upon request
- Material is cast grey iron and 319 cast aluminum

| Blank Casting Only | | Machined Only | | Machined, Polished & Painted | | A | B | C | D | Optional Handle J | Weight (lbs.) | |
|--------------------|-----------------|------------------|-----------------|------------------------------|-----------------|----|-------|-------|-------|-------------------|---------------|----------|
| Cast Iron PART # | Aluminum PART # | Cast Iron PART # | Aluminum PART # | Cast Iron PART # | Aluminum PART # | | | | | | Cast Iron | Aluminum |
| HW-4 | HW-4A | HW-4M | HW-4AM | HW-4F | HW-4AF | 4 | 1-1/4 | 5/8 | 1-1/8 | H-20 | 1.7 | .6 |
| HW-5 | HW-5A | HW-5M | HW-5AM | HW-5F | HW-5AF | 5 | 1-1/2 | 5/8 | 1-1/8 | H-30 | 2.2 | .8 |
| HW-6 | HW-6A | HW-6M | HW-6AM | HW-6F | HW-6AF | 6 | 1-5/8 | 3/4 | 1-1/4 | H-30 | 3.4 | 1.3 |
| HW-8 | HW-8A | HW-8M | HW-8AM | HW-8F | HW-8AF | 8 | 1-7/8 | 7/8 | 1-3/8 | H-40 | 6.0 | 2.3 |
| HW-9 | - | HW-9M | - | HW-9F | - | 9 | 2 | 7/8 | 1-3/4 | H-40 | 7.2 | - |
| HW-10 | HW-10A | HW-10M | HW-10AM | HW-10F | HW-10AF | 10 | 2-1/4 | 1 | 2-1/4 | H-40 | 11 | 5 |
| - | HW-12A | - | HW-12AM | - | HW-12AF | 12 | 3 | 1-1/4 | 3 | H-50 | 21 | 8 |
| - | HW-14A | - | HW-14AM | - | HW-14AF | 14 | 3 | 1-1/4 | 3-1/2 | H-50 | 25 | 9 |

Handwheels (offset type)



Aluminum

- Additional charge for installing handles
- Bore, keyway, and set screw prices are available upon request
- Machined handwheels include faced hub that is true with rim

| Blank Casting Only Aluminum PART # | Machined Only Aluminum PART # | Machined, Polished & Painted Aluminum PART # | A | B | C | D | Optional Handle J | Weight (lbs.) |
|------------------------------------|-------------------------------|--|----|-------|-----|---------|-------------------|---------------|
| | | | | | | | | Aluminum |
| OHW-4A | OHW-4AM | OHW-4AF | 4 | 1-1/4 | 5/8 | 1-11/16 | H-20 | .7 |
| OHW-5A | OHW-5AM | OHW-5AF | 5 | 1-1/2 | 5/8 | 1-13/16 | H-30 | .8 |
| OHW-6A | OHW-6AM | OHW-6AF | 6 | 1-5/8 | 3/4 | 2 | H-30 | 1.3 |
| OHW-8A | OHW-8AM | OHW-8AF | 8 | 1-7/8 | 7/8 | 2-3/16 | H-40 | 2.4 |
| OHW-9A | OHW-9AM | OHW-9AF | 9 | 2 | 7/8 | 2-3/4 | H-40 | 3.0 |
| OHW-10A | OHW-10AM | OHW-10AF | 10 | 2-1/4 | 1 | 3-1/4 | H-40 | 5 |